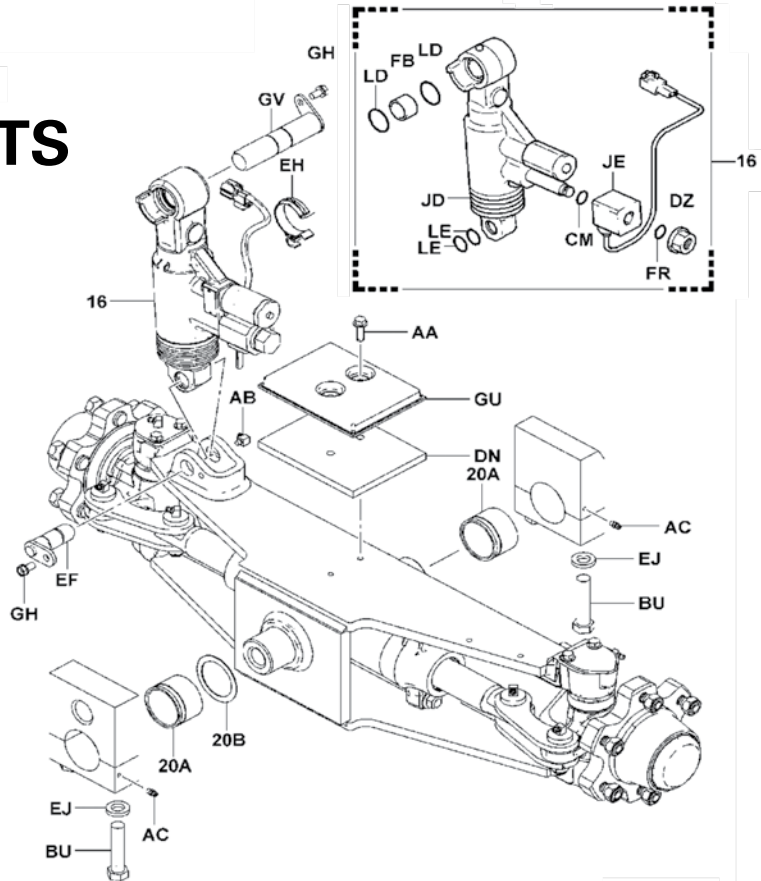


STABILITY SYSTEM PARTS COMPARISON

HYSTER® (HSS®) and TOYOTA® (SAS)

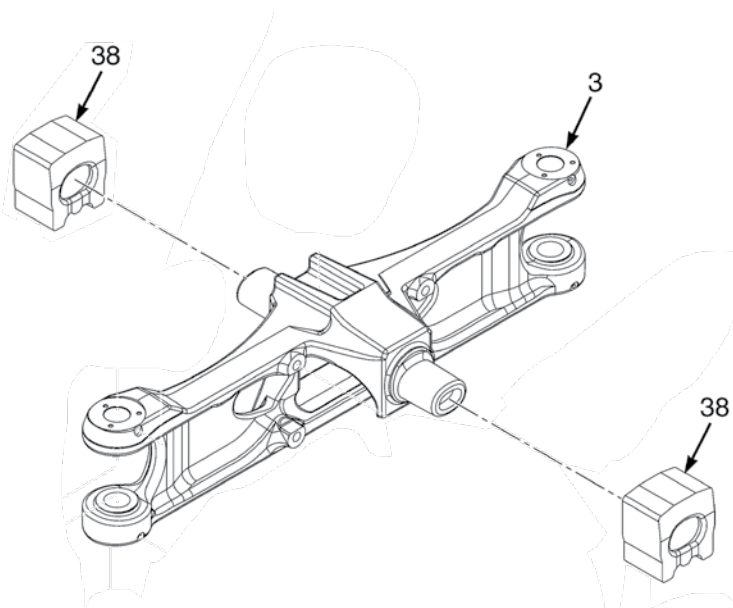
TOYOTA®

UP TO 74 PARTS



HYSTER®

2 PARTS



Toyota® Stability System Parts Replacement Cost: **\$2313.21***

PART #	DESCRIPTION	QTY	PRICE*
TY436102662071	CYLINDER ASSY, SWING LOCK	1	612.31
TY43610J223071	CYLINDER ASSY, SWING LOCK	1	613.96
PARTS EXPERT	CYLINDER ASSY, SWING LOCK	1	
TY91551U882571	BOLT	2	0.47
TY864567600271	GREASE FITTING	2	3.88
TY864567600271	GREASE FITTING	2	3.88
TY864567600271	GREASE FITTING	4	3.88
TY864567600271	GREASE FITTING	1	3.88
TY864567600271	GREASE FITTING	2	3.88
TY864567600271	GREASE FITTING	2	3.88
PARTS EXPERT	GREASE FITTING	1	
TY864517600171	GREASE FITTING	4	1.07
TY864517600171	GREASE FITTING	4	1.07
TY864517600171	GREASE FITTING	2	1.07
TY864517600171	GREASE FITTING	4	1.07
TY864517600171	GREASE FITTING	4	1.07
TY911625167071	BOLT	2	5.32
TY436161313071	RING, O	1	9.20
TY431922660071	PLATE	1	65.45
TY436141313071	NUT	1	57.35
TY436021331071	PIN SUBASSY	1	47.37
PARTS EXPERT	PIN SUBASSY	1	
TY845127601171	WASHER, SPRING	2	1.77

PART #	DESCRIPTION	QTY	PRICE*
TY437351313071	COLLAR	1	14.07
TY436151313071	RING, O	1	16.76
TY901190801371	BOLT	2	6.61
TY901190801371	BOLT	2	6.61
PARTS EXPERT	BOLT	2	
TY431912342171	DAMPER, REAR AXLE	1	162.85
TY436032332071	PIN SUBASSY	1	67.26
PARTS EXPERT	PIN SUBASSY	1	
TY436111313071	BOOT	1	109.34
TY436131313071	COIL, SOLENOID	1	380.35
TY436112662071	RING, O	2	6.88
TY967100202271	RING, O	2	2.10
TY434212332071	BUSHING, STEER AXLE BEAM MOUNTING	2	13.86
TY431612054071	SHIM, REAR AXLE BEAM MOUNTING	99	3.67
TY905605000571	SHIM, REAR AXLE BEAM MOUNTING	99	3.51
TY905605000671	SHIM, REAR AXLE BEAM MOUNTING	99	3.56
TY905605100171	SHIM, REAR AXLE BEAM MOUNTING	99	3.44
TY905605100271	SHIM, REAR AXLE BEAM MOUNTING	99	7.26
TY905605100371	SHIM, REAR AXLE BEAM MOUNTING	99	4.02
TY905605100471	SHIM, REAR AXLE BEAM MOUNTING	99	4.12
TY905605100571	SHIM, REAR AXLE BEAM MOUNTING	99	4.55
TY905635000171	SHIM, REAR AXLE BEAM MOUNTING	99	2.68

Hyster® Stability System Parts Replacement Cost: **\$97.20***

PART #	DESCRIPTION	QTY	PRICE*
2060696	RUBBER MOUNT	2	48.60

* Suggested consumer list price from TVH

Toyota® Stability System Maintenance Schedule

Inspection Period (Accomplish based on operating hours or months, whichever is soonest)	Every 6 wks	Every 3 mos	Every 6 mos	Every 12 mos	
Item	Every 250 hrs	Every 500 hrs	Every 1000 hrs	Every 2000 hrs	Every 10000 hrs
Functions	•	•	•	•	
Loosening and damage at sensor mounting portion	•	•	•	•	
Damage, deformation, oil leakage, and loosening of the mounting of functional parts	•	•	•	•	
Loosening and damage of wire harness	•	•	•	•	
Lock cylinder accumulator performance				•	
Rusting and corrosion of load sensor				•	
Swing lock cylinder (not for dual front tire)					•

In case of the hard operating condition, the service interval of 170 hours or 1 month may be recommended.

Source: Toyota Operator's and Owner's Manual, Publication No. AU027-00004

Hyster® Stability System Maintenance Schedule: **NONE**